



# BISON PRECAST

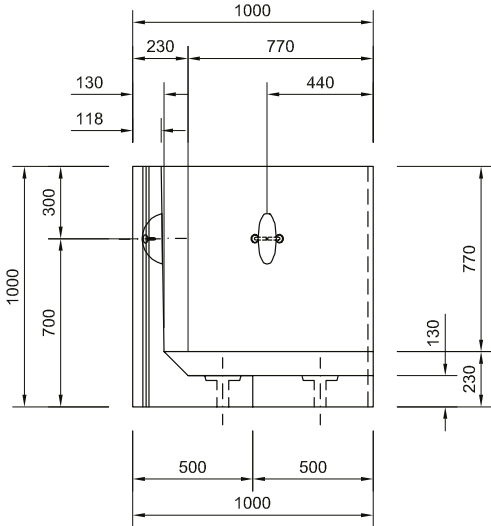
a Forterra brand

# 1.00M RETAINING WALL

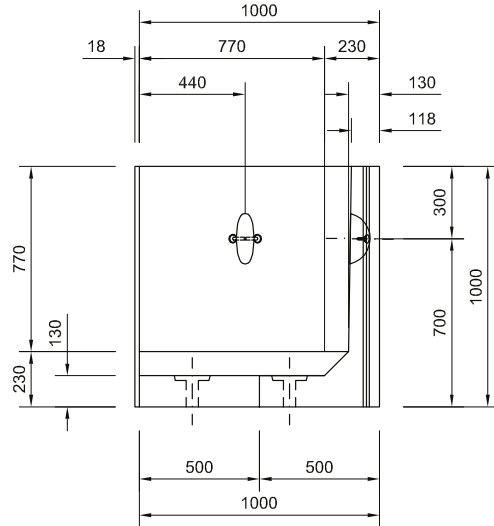
Corner Unit - Drawing number: 70

Note: Do not scale from this drawing. If in doubt, please ask for confirmation of any dimension.

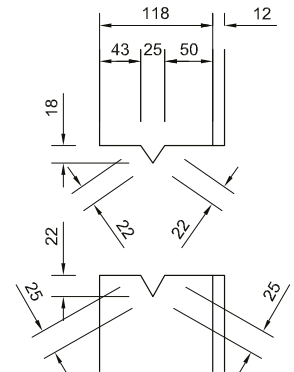
- Height: 1000mm
- Width: 1000mm
- Depth: 500mm
- Weight: 0.773t
- Embedment: 150mm



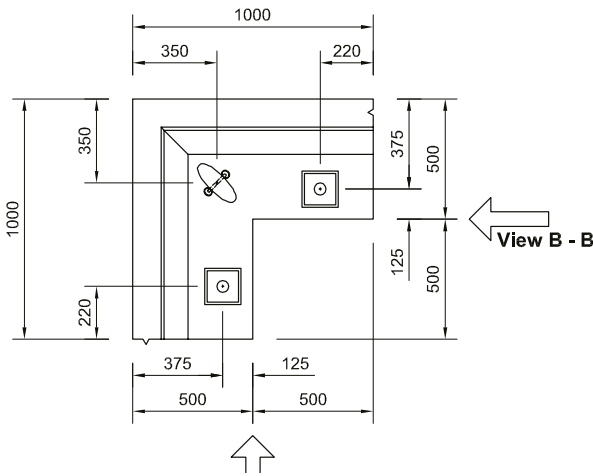
View A - A



View B - B



Joint Detail



50/60  
45mm Nominal  
(Minimum 40mm)

A	Joint detail amended slightly.	DC	16/12/12
rev	amendment	by	date
<b>BISON PRECAST</b>		<b>fc</b>	
<b>BISON PRECAST</b>		:state ©	
job Retaining Wall			
title Retaining Wall - 1000mm High Corner Unit			
Volume 0.309 cu.m. Weight 0.773 tonnes.			
date	02/12/2012	job no	HBP-RW
scale	1:20	drwn	D. Chamberlain
checked	-	drg no	70
		rev	A



**BISON PRECAST**

a Forterra brand

# 1.00M RETAINING WALL

Ancillary Items

Note: Do not scale from this drawing. If in doubt, please ask for confirmation of any dimension.

## Loose items schedule: per 1.00m unit

No.	Item
2	M16 (Grade 8.8) Galv Althread x 340lg
2	M16 Galv Nuts
2	100 x 100 x 8thk Galv Plate washer (Ref: PW4)

Grouted in using C32/40 non-shrink grout

All loose items available direct from Bison Precast. Please enquire for further details.

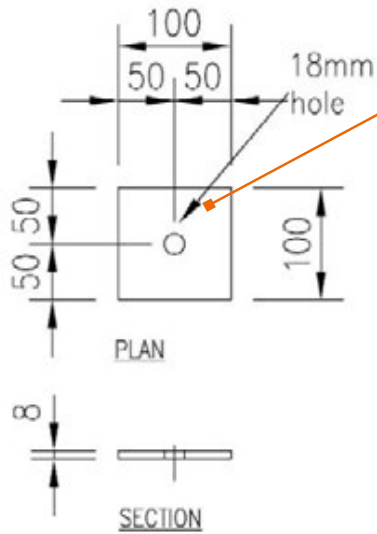
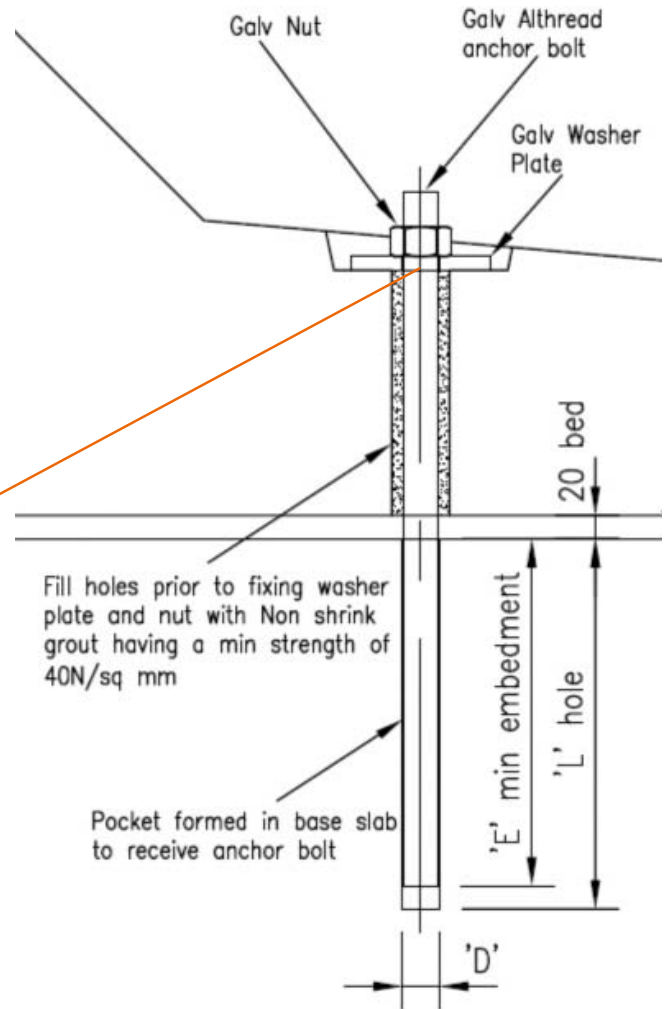


Plate Washer PW4



Anchor Bolt Detail