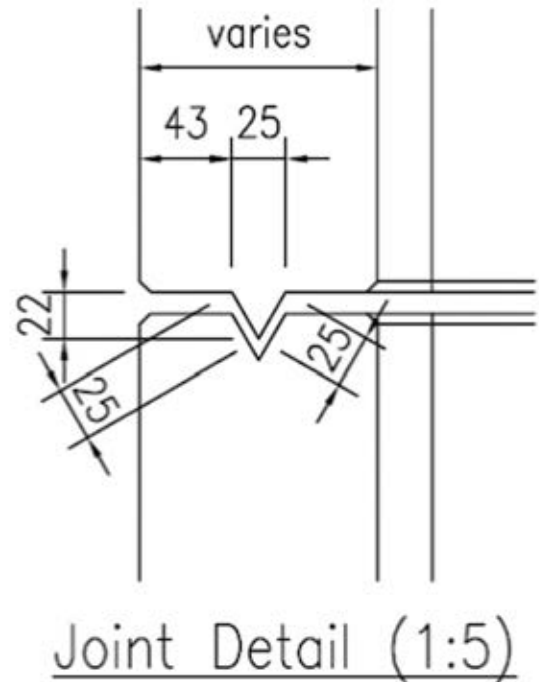


Interlocking Joint for Retaining Walls

Precast Products

Note: Do not scale from this drawing. If in doubt, please ask for confirmation of any dimension.

All our units are provided with a unique interlocking detail which further enhance installation times through accurate and fast alignment. The added benefits of this detail also ensure a strong and reliable connection detail which can be made water proof with the correct sealant detail. Note all units will be supplied with a male female connection detail as standard, however we are happy to provide a traditional flat joint detail to one or both ends if required.



For further information please call
or email our dedicated sales team.

→ **01773 600 211**

retainingwalls@forterra.co.uk



All content copyright © 2015 Forterra