

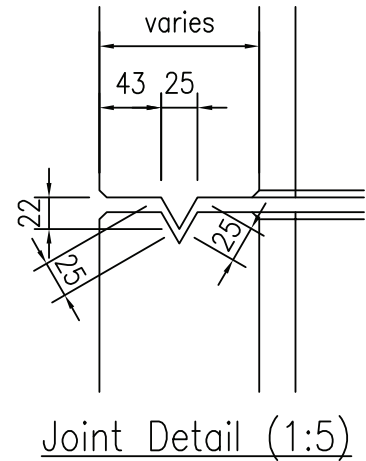
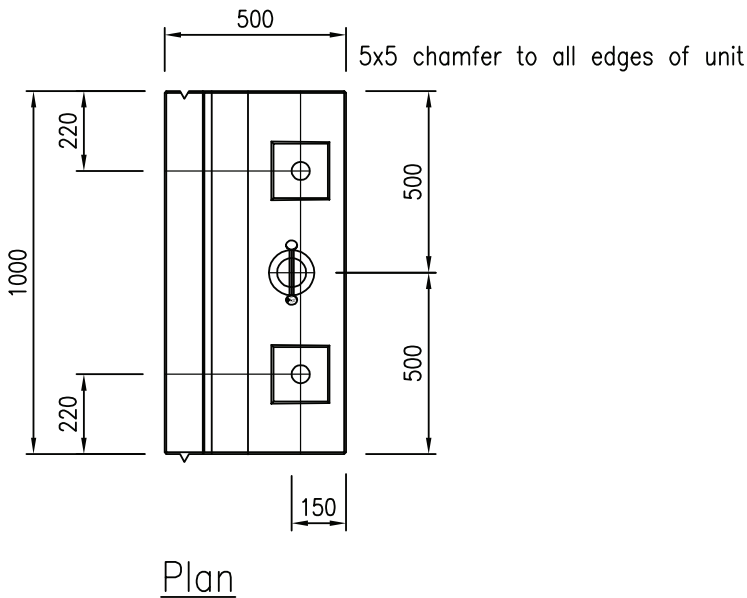
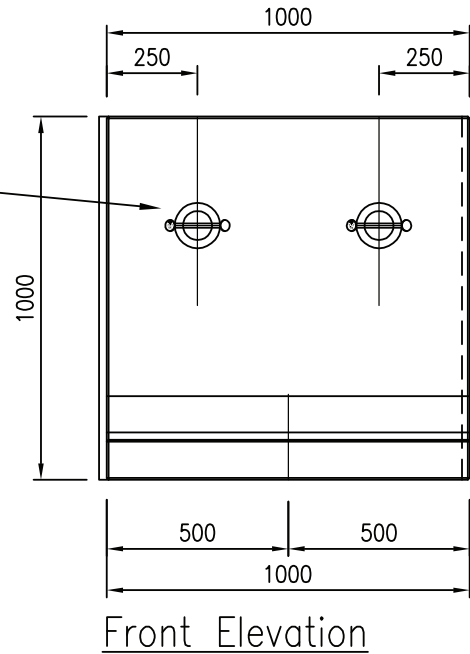
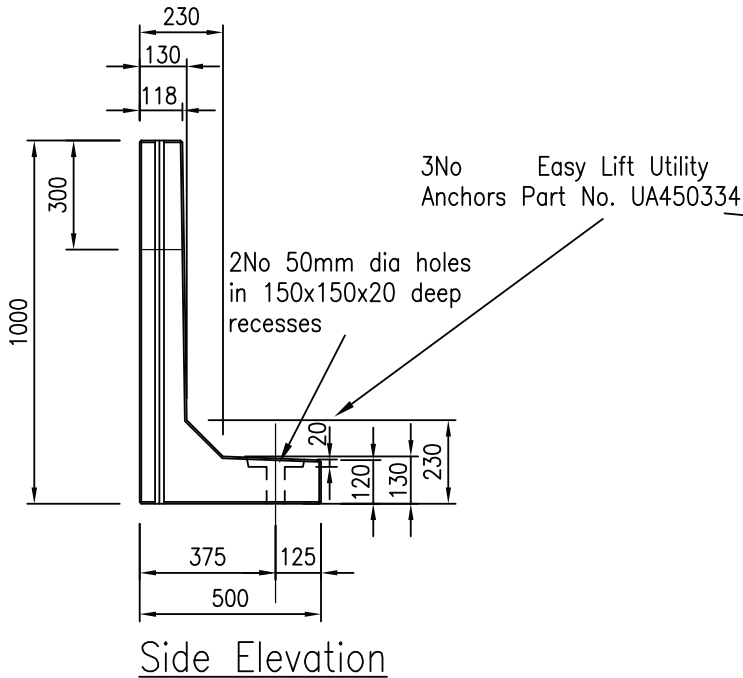
# 1.00m Retaining Wall

Drawing number: 12073-013

**Precast Products**

Note: Do not scale from this drawing. If in doubt, please ask for confirmation of any dimension.

Unit volume = 0.177 cu m



Height: 1000mm  
 Width: 1000mm  
 Depth: 500mm  
 Weight: 450kg  
 Embedment: 150mm

NOTES:

- Concrete strengths:-  
 At 28 days Min 60 N/sq mm  
 At demoulding Min 15 N/sq mm
- For reinforcement details see Drg no 12073-015.

For further information please call or email our dedicated sales team.

→ **01773 600 211**  
 retainingwalls@forterra.co.uk



All content copyright © 2015 Forterra

